

# USER MANUAL

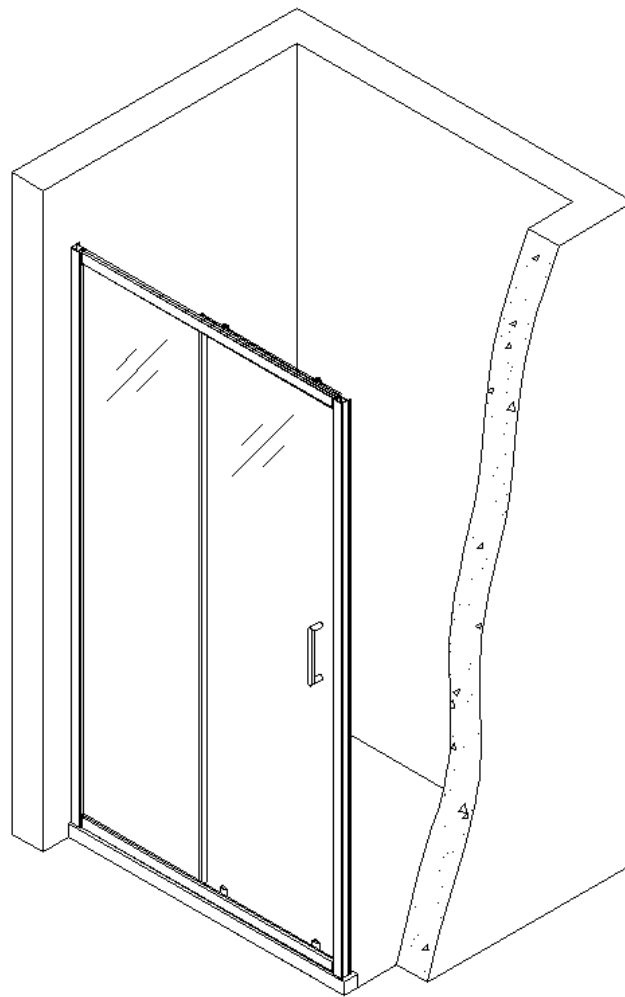


Thank you for choosing Better Bathrooms.  
Please read this manual before installing your product  
and keep for future reference.

**better**   
**bathrooms**

## Lyra 4mm Sliding door

BeBa\_28002/BeBa\_28003



- **Multi-person assembly**
- **Tools required**
- **We always recommend using professional tradespeople to install your product**

2021.8.23

# Congratulations on your purchase

*And welcome to our growing gang of savvy shoppers*

We're on a mission to bring you extraordinary bathroom products, for less. From modern to traditional style ceramics, plus the gorgeous fixtures, fittings and furniture to match. So, you can fall in love with your space every single day.

As one of the UK's largest independent bathroom stores, we've received countless awards; including the National Business Awards UK, the Digital Entrepreneur Awards and being placed on The Sunday Times Fast Track 100.

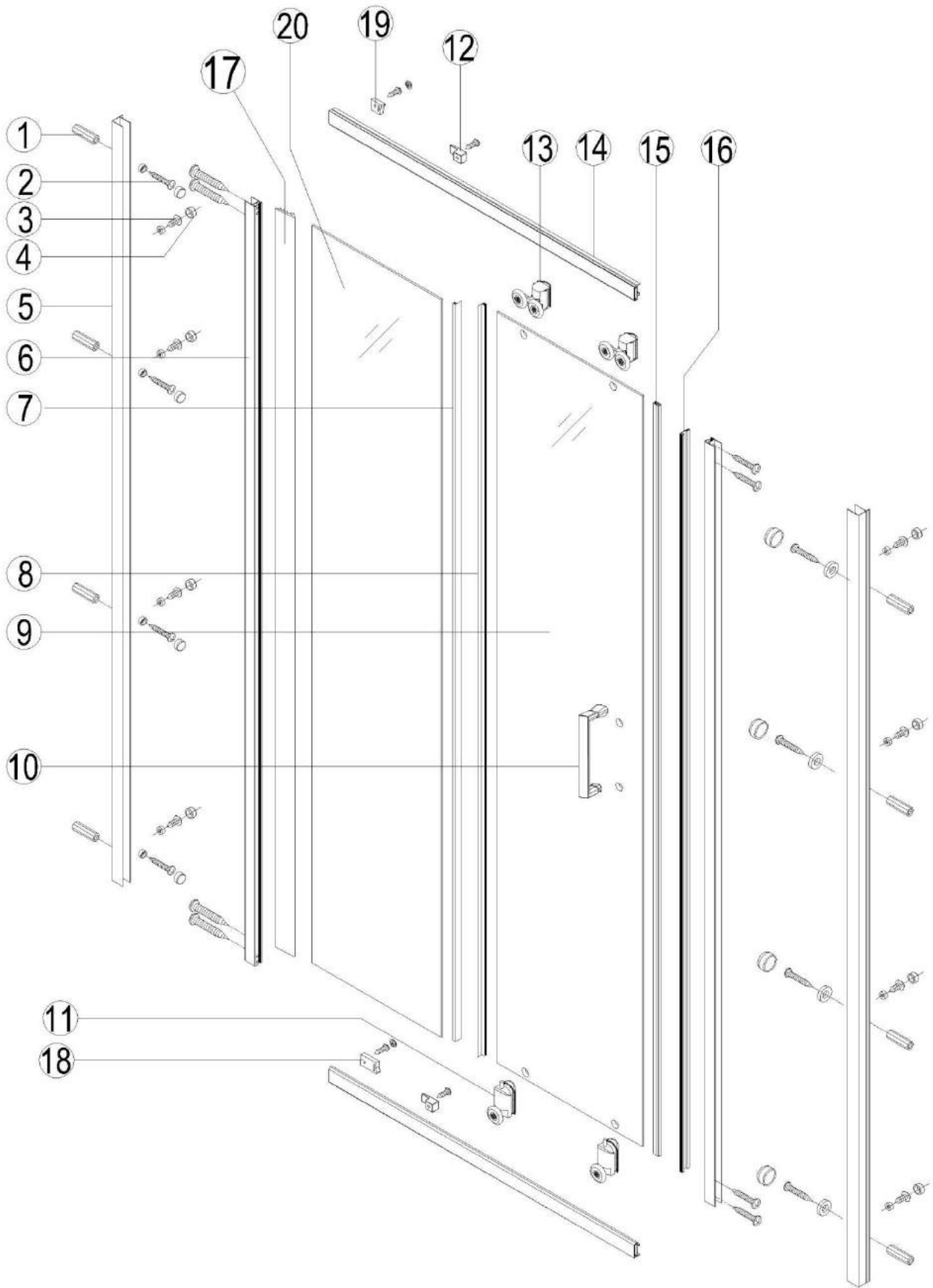
We hope your new product goes above and beyond your expectations. However, should any problems occur, please:

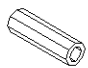


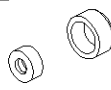
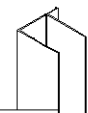
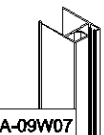

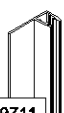
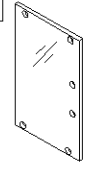

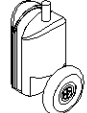
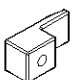
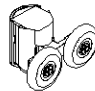
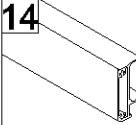
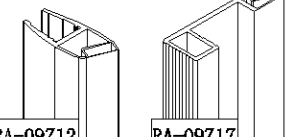
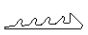


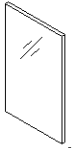
- log in to your account and contact our customer services team via your self-serve portal –[betterbathrooms.com/Account/Login](https://betterbathrooms.com/Account/Login)
- contact us via [betterbathrooms.com/content/contact-us](https://betterbathrooms.com/content/contact-us)

## Important information

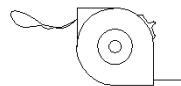
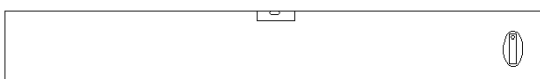
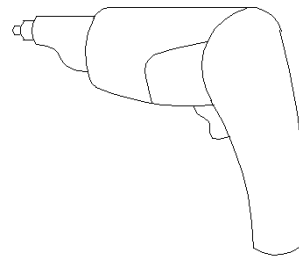
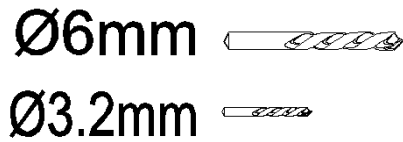
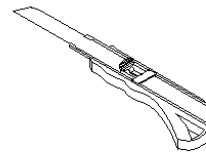
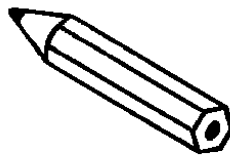
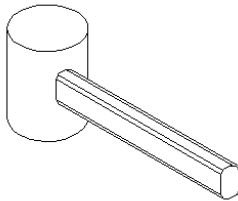
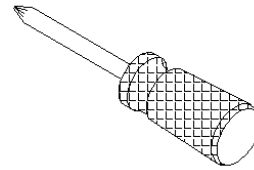
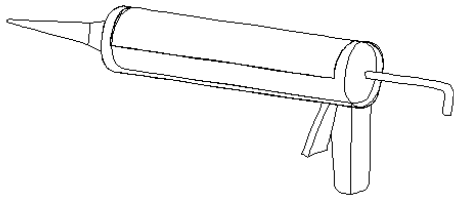
- Please read these instructions thoroughly and retain for future reference
- Manufactured to BS EN14428
- Please check for pipes and cables before drilling
- Please check for damage prior to installation

# Parts / Diagrams

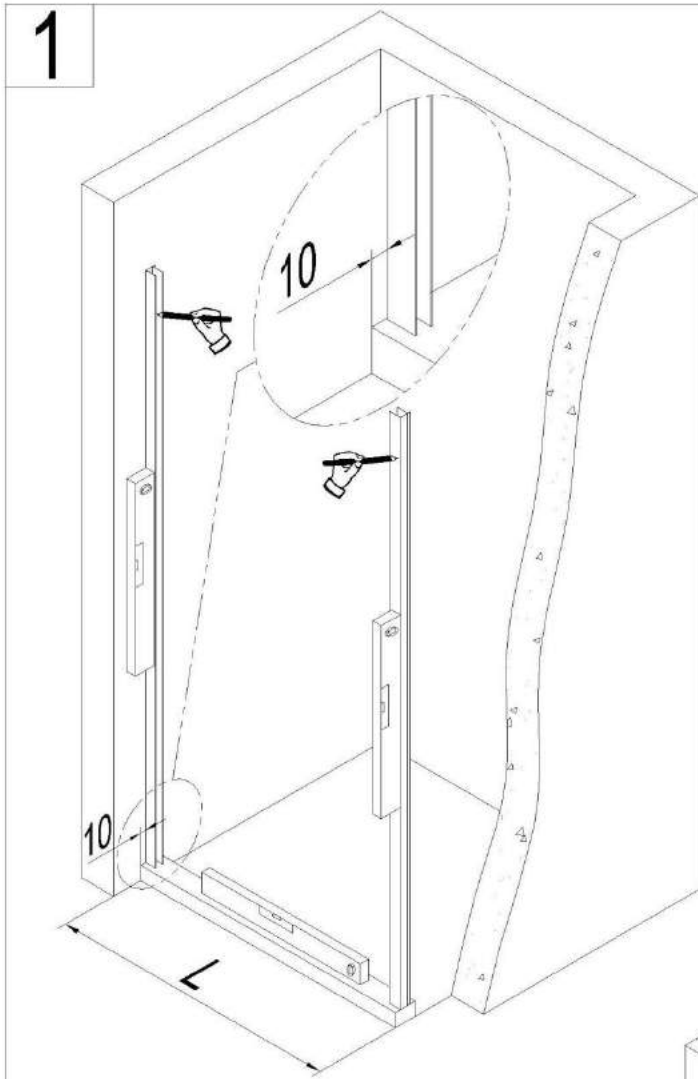


1  D6x30 8Pcs	2  ST4X30 16Pcs	3  ST4X12 12Pcs	4  RA-09Y07 16Pcs	5  RA-09W02 2Pcs	6  RA-09W07 2Pcs	7  1760mm RA-09Z11 1Pcs
8  1824mm RA-09Z11 1Pcs	9  1Pcs	10  1Pcs	11  RA-09X10 2Pcs	12  RA-09Y14 2Pcs	13  RA-09X11 2Pcs	14  2Pcs
15 + 16  RA-09Z12 1Pcs RA-09Z17 1Pcs	17  RA-09Z16 1Pcs	18  RA-09Y16 1Pcs	19  RA-09Y15 1Pcs	20  1Pcs		

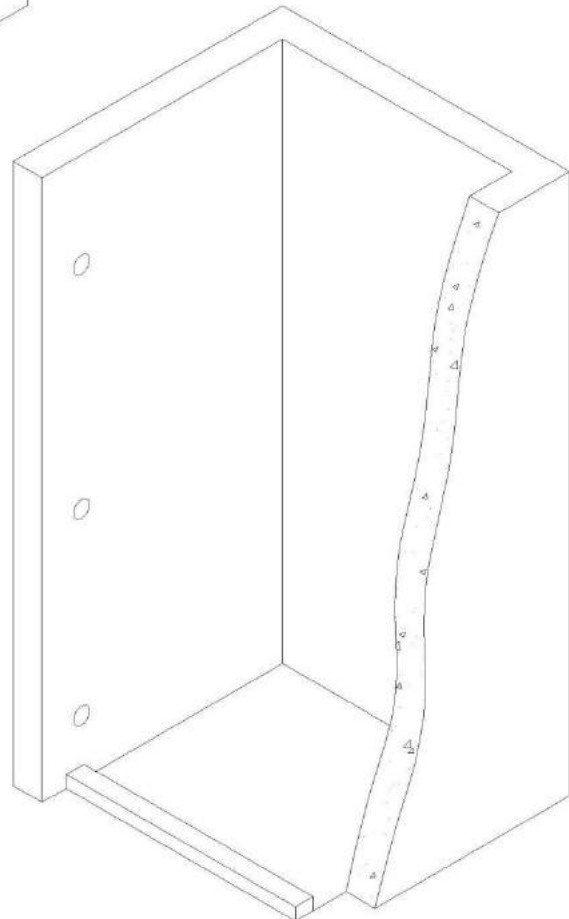
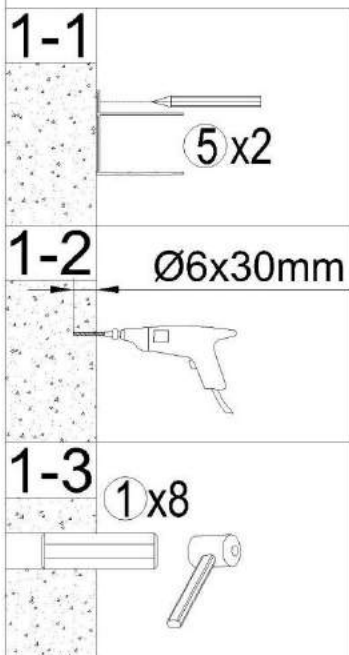
## Tools required (Tools not provided)



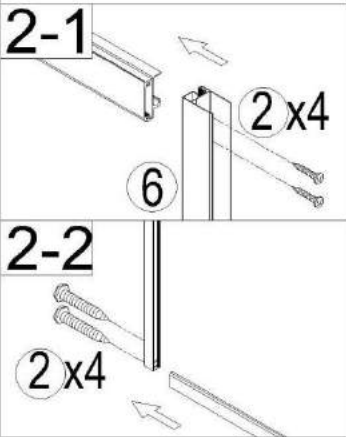
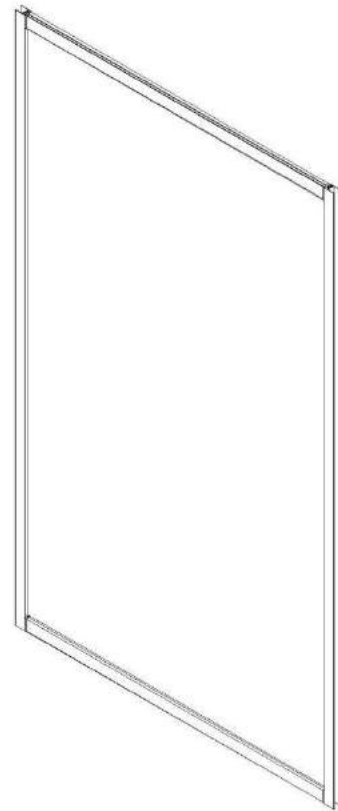
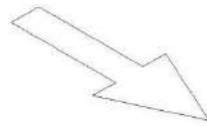
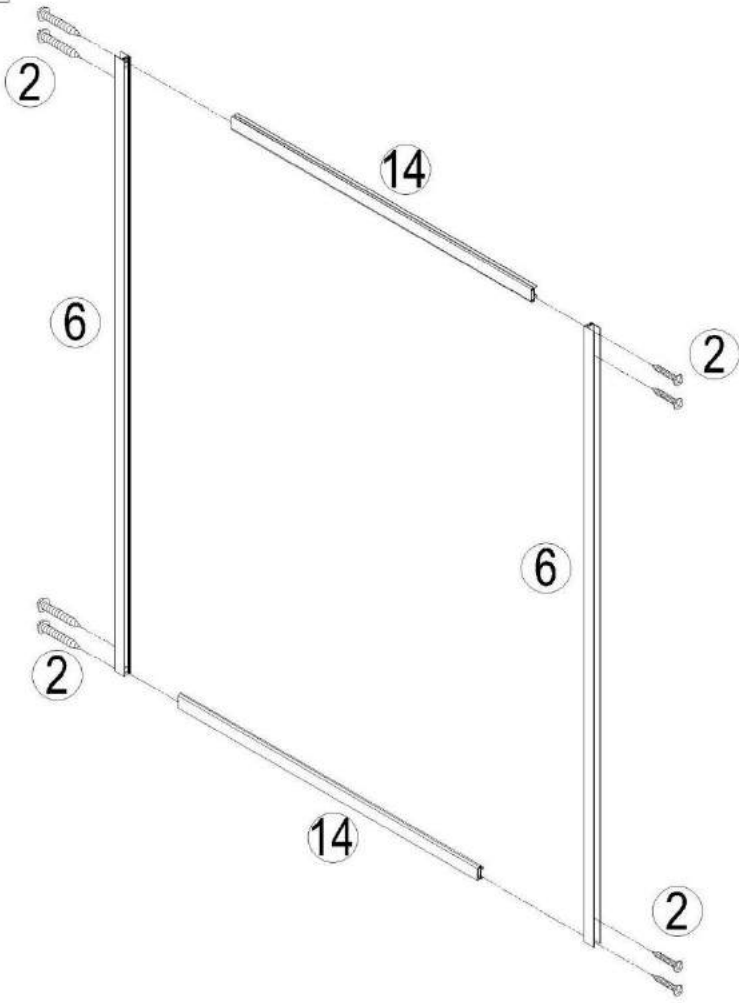
# Installation



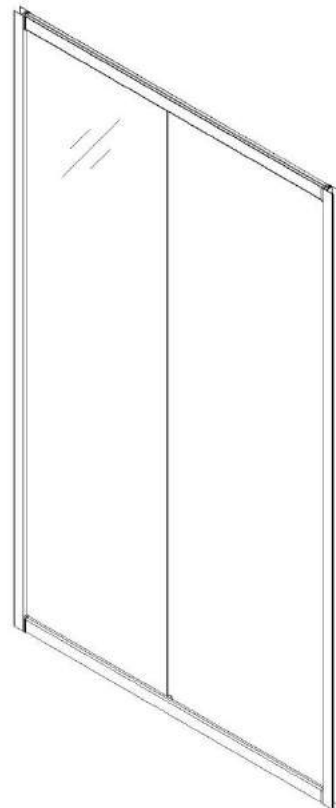
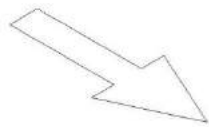
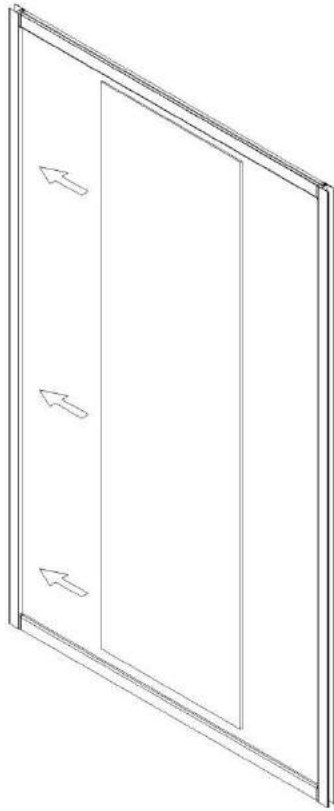
	L
1000	950-990
1200	1150-1190



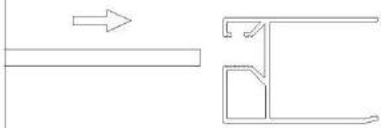
2



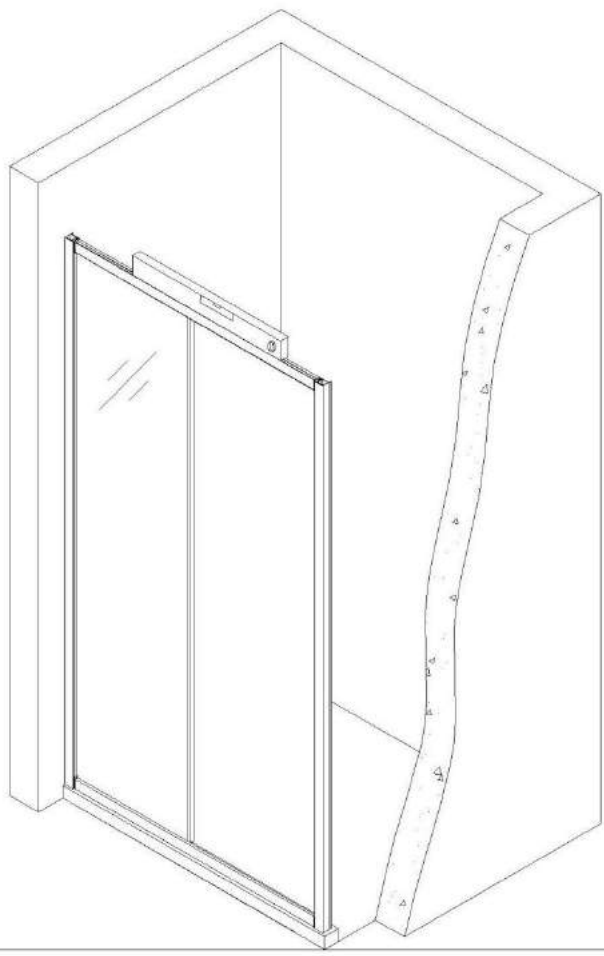
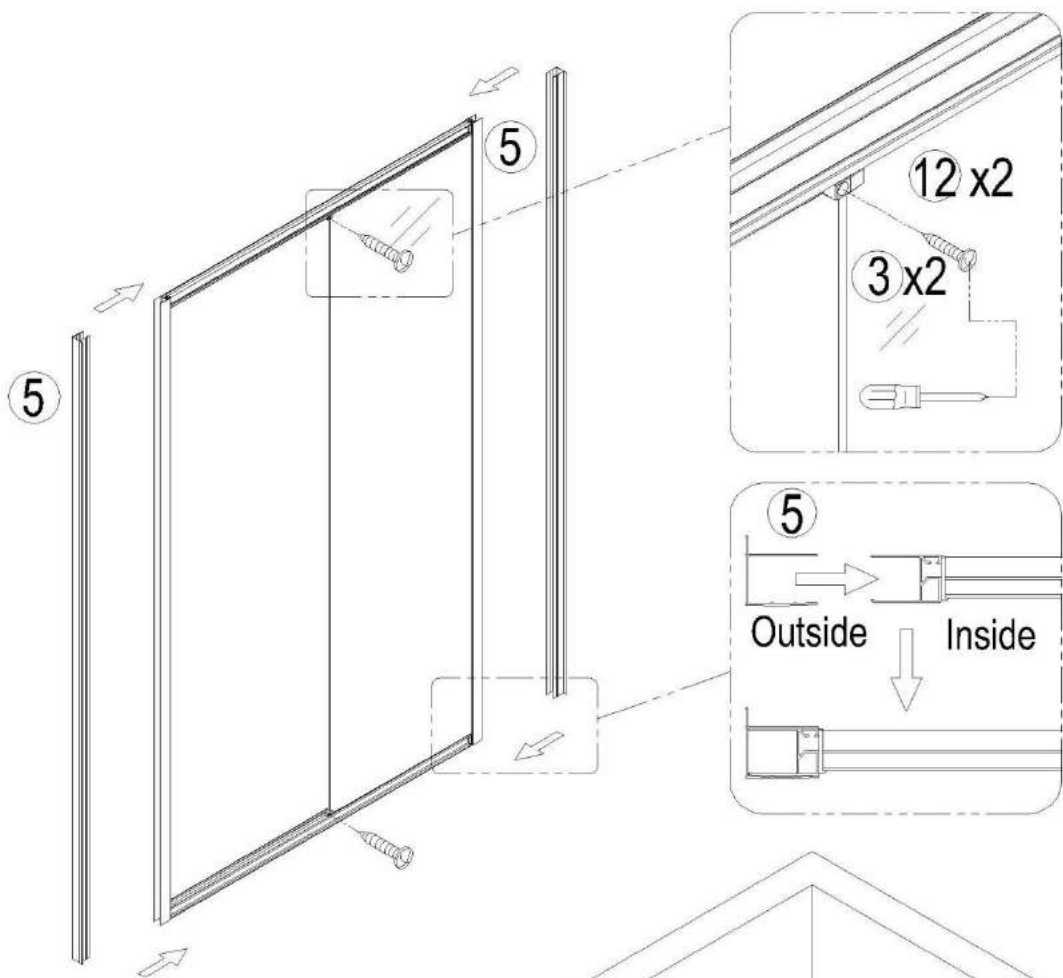
3



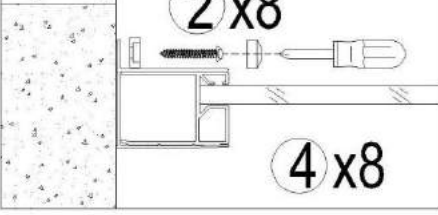
3-1



4

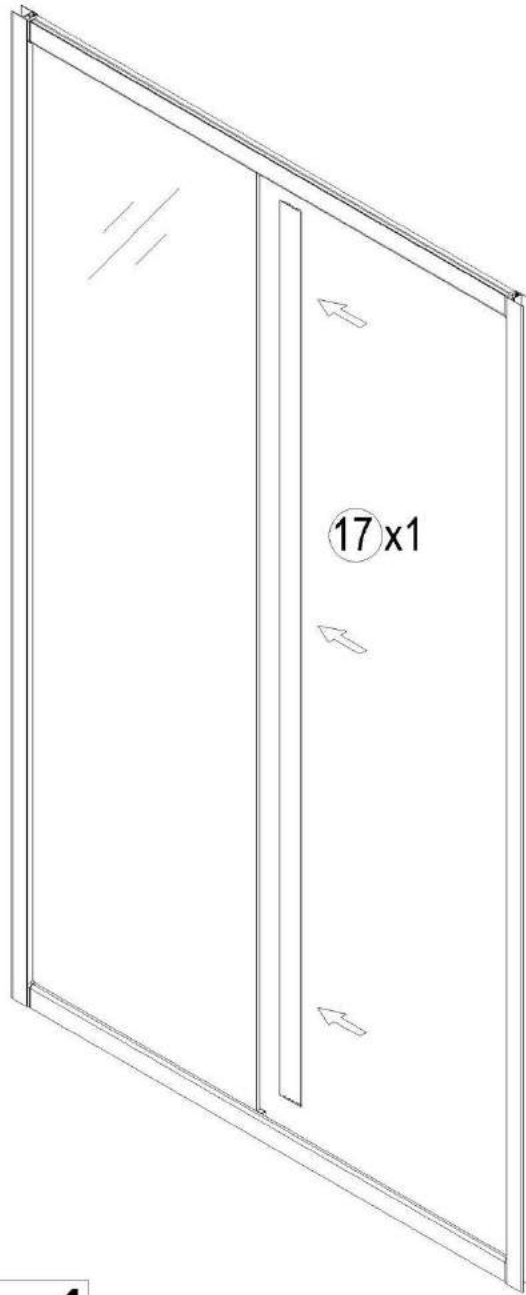


4-1



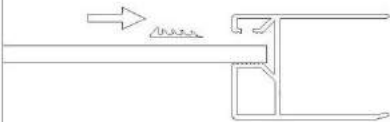


5

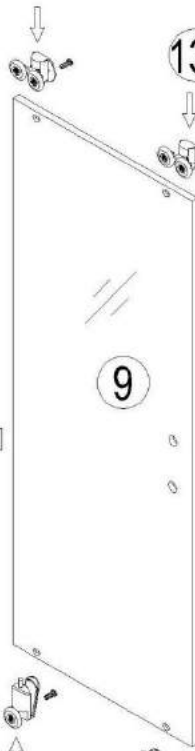
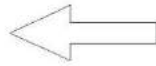
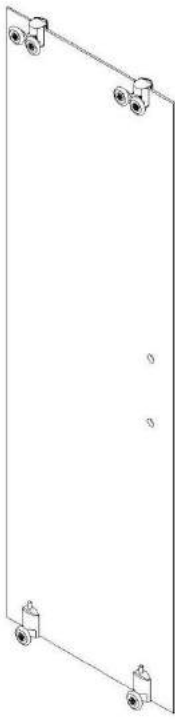


5-1

17x1

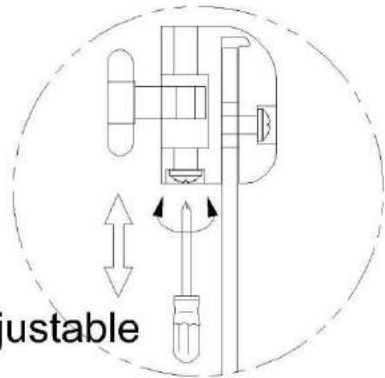
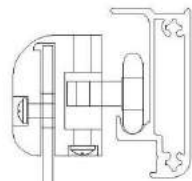
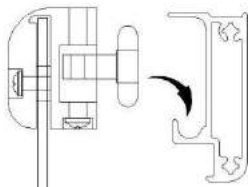
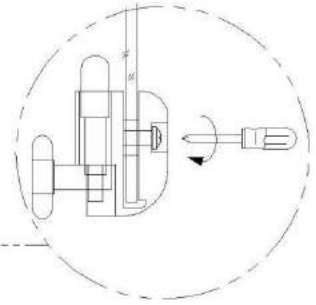
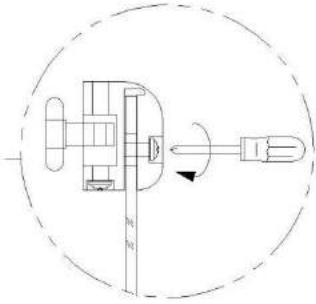


6

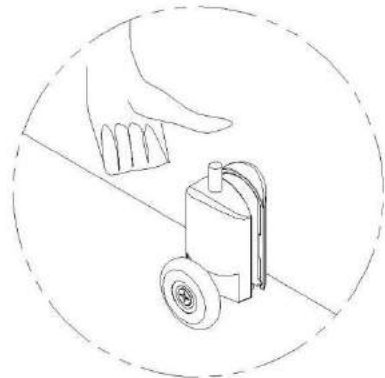
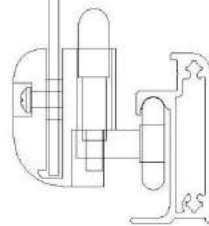
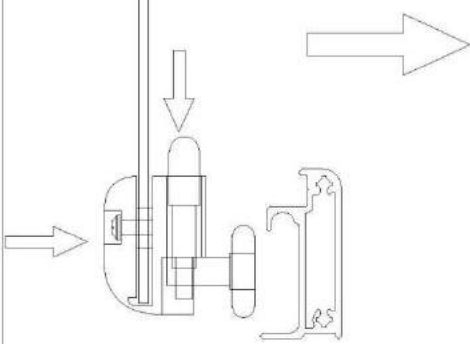


13x2

11x2



Adjustable

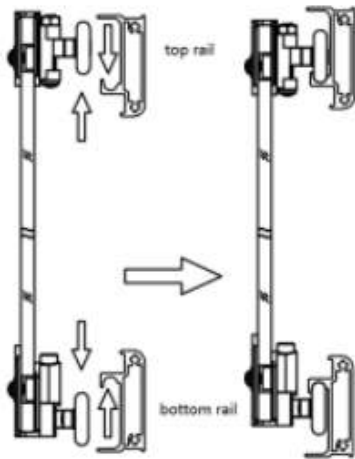


**Important:**

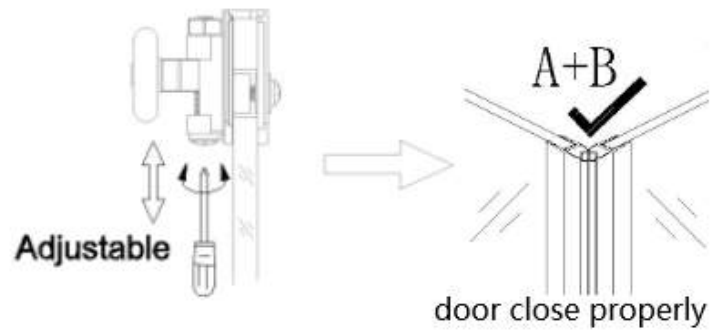
**Step A: Locate the rollers into the top and bottom rails**

**Step B: Please adjust the top roller up and down with the screw shown below using a screwdriver**

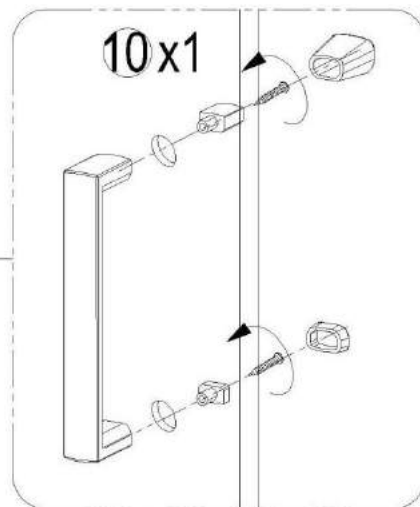
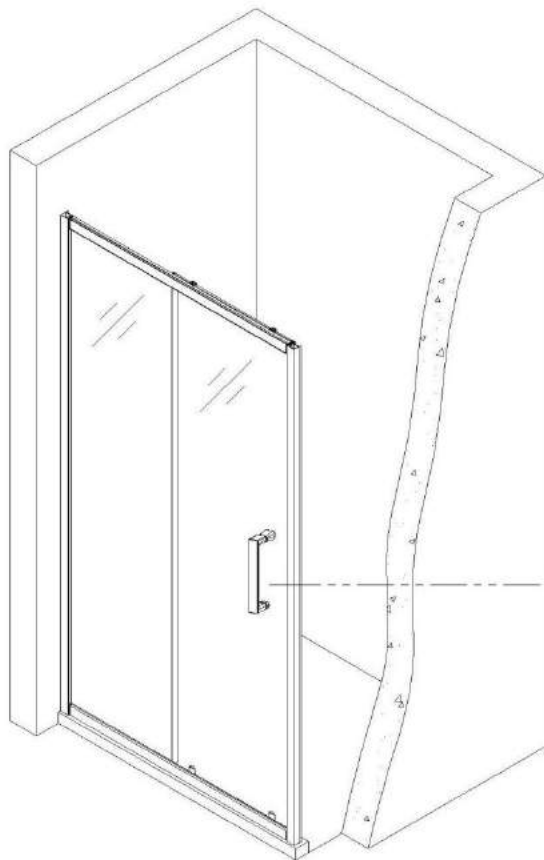
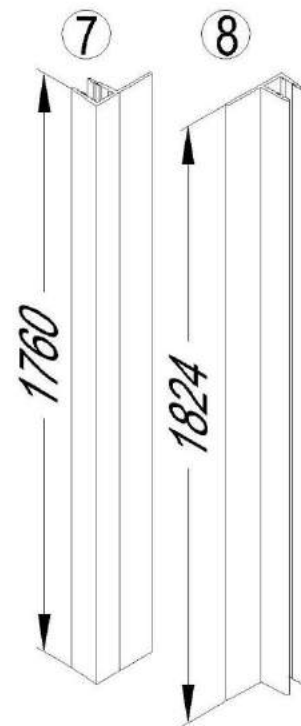
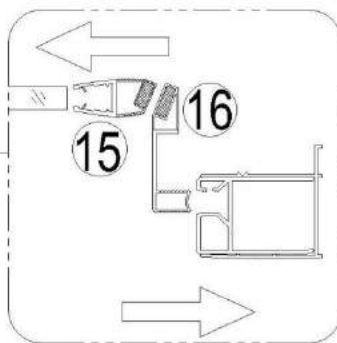
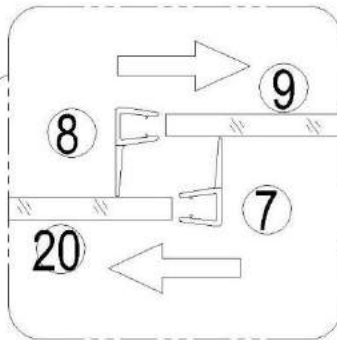
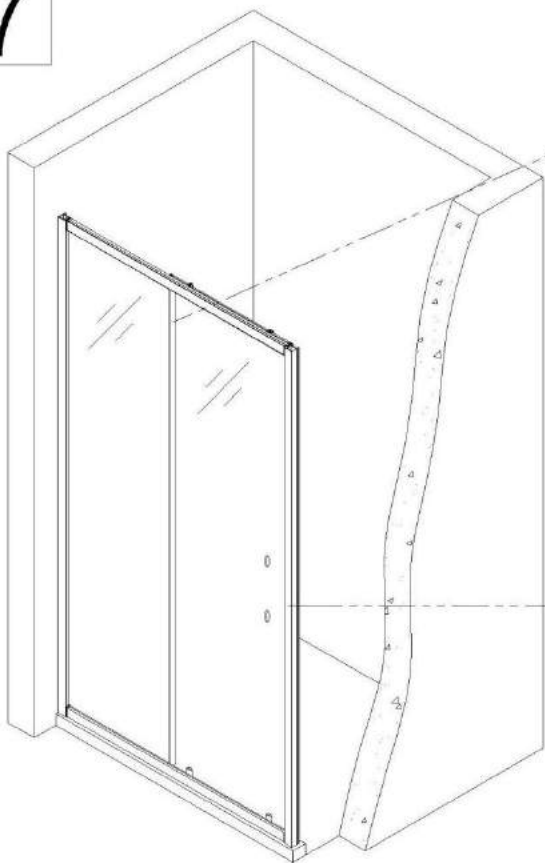
**step A:**



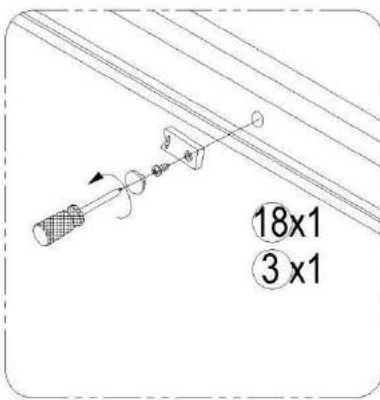
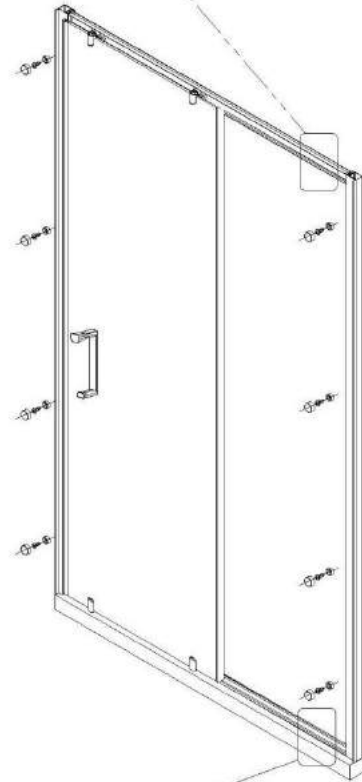
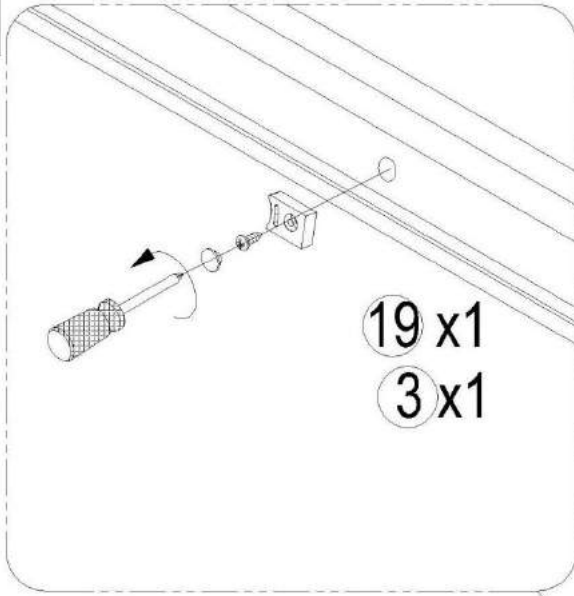
**step B:**



7

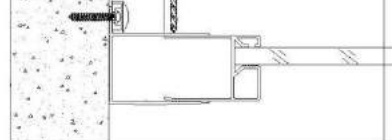


8



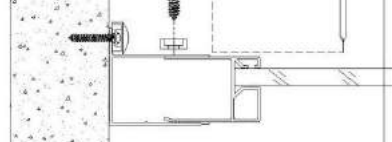
8-1

Ø3.2mm  
0-20mm



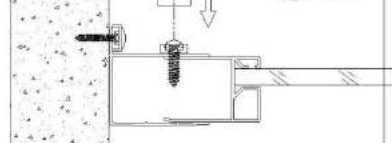
8-2

4 x8

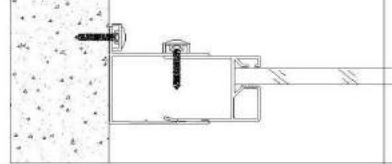


8-3

3 x8



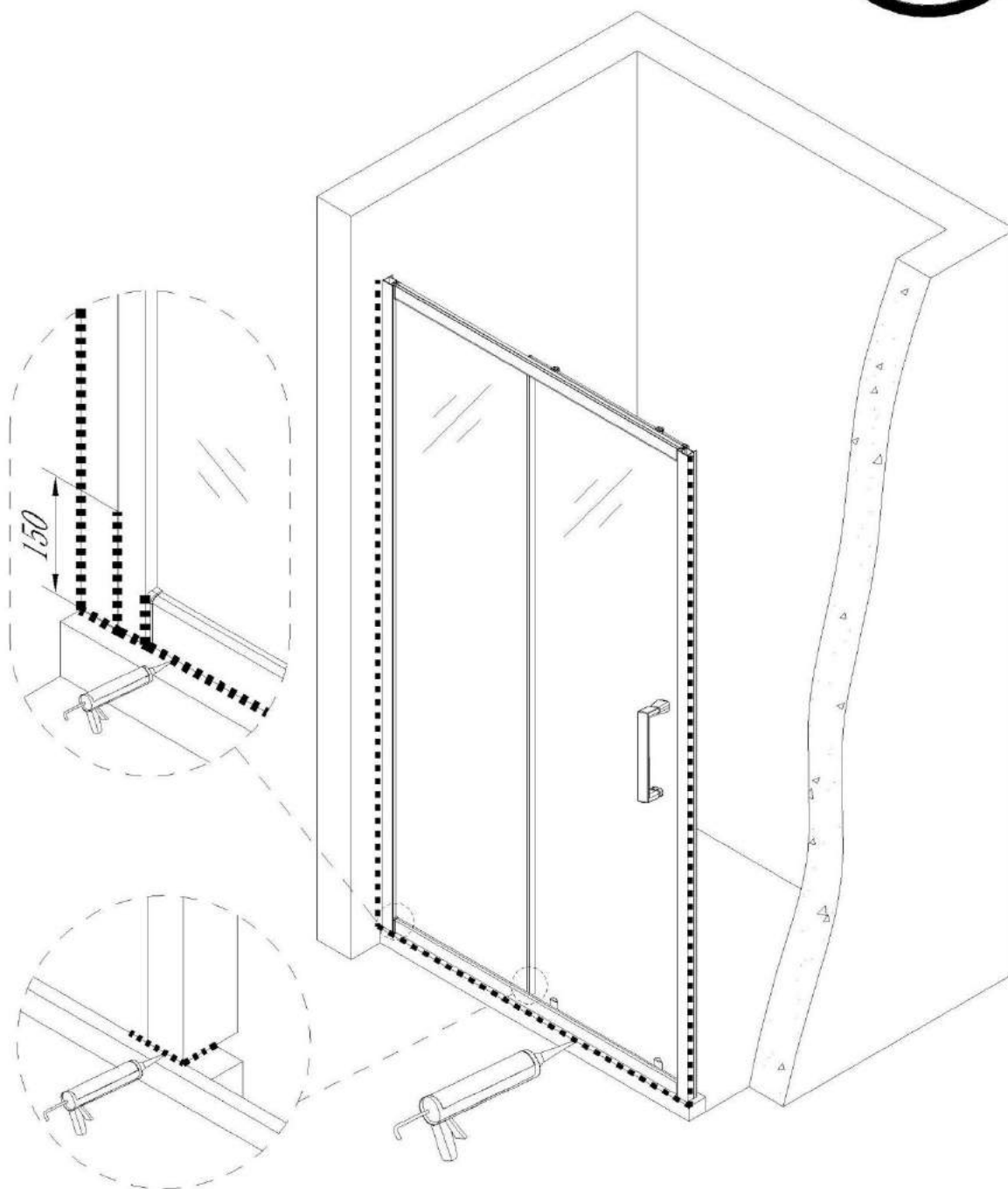
8-4



9

Care Instructions:

Do not use your shower enclosure within 24 hours of assembly .  
Do not use caustic cleaning products or abrasive material when cleaning your shower enclosure.



## **Cleaning**

**All parts of the product shall be cleaned with a cloth soaked in neutral detergent soapy water, Please do not use sharp tools such as blades to clean the shower door.**

**Please do not use strong detergent, alcohol or any abrasive cleaning substances to clean the shower door if the stain is serious, a low concentration of vinegar can be used, but must be rinsed with clean water afterwards.**

### ***For more information***

- visit [betterbathrooms.com](http://betterbathrooms.com)
- email [customerservices@buyitdirect.co.uk](mailto:customerservices@buyitdirect.co.uk)
- call 0330 390 3062
- write to Trident Business Park, Neptune Way, Huddersfield, HD2 1UA

**better**   
**bathrooms**

Part of the BuyItDirect Group